

# CLIMBING SCAFFOLD



## TRK 160-240 CLIMBING SCAFFOLDS

In order to form higher walls, pillars, piers, stair and lift shafts the climbing scaffold TRK 160 or TRK 240 could be safely used together with our formwork systems such as, the VINC'I, SIMPEX, MULTIX, HAND'I etc. The formwork could be placed easily on both systems. Both systems bear wind connection, lower level platforms etc. The TRK 240 system provides extra solution for retracting the formwork with its chart system and lateral and/or vertical fine adjustment is possible with additional accessories. For further info, please refer to the relevant technical literature.

## TRK 250 D MULTIX SINGLE SIDED CLIMBING SCAFFOLDS

This system consists of MULTIX main items together with specialized accessories for anchoring, vertical and lateral fine adjustment, inclined climbing etc. Please refer to detailed manuals for further info.





# CLIMBING SCAFFOLD



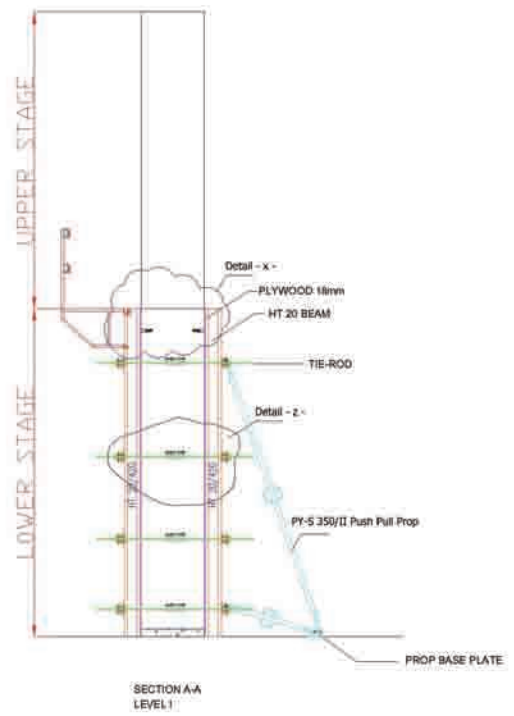
## TRK 160-240 TIRMANMA KONSOLLARI

Yüksek perde, kolon, şaft v.b. yapılarda TRK 160 ve TRK 240 tırmanma konsollarımız VINC'I, SIMPEX, MULTIX, HAND'I v.b. kalıp sistemlerimiz ile birlikte güvenle kullanılabilir. Her iki sistemde de rüzgar bağlantısı, alt sepet v.b. uygulamalar mümkündür. TRK 240 tırmanma konsolu kolay hareket ettirilen araba sistemi, yatay ve düşey hassas ayar mekanizması gibi opsiyonel özelliklere de sahiptir.

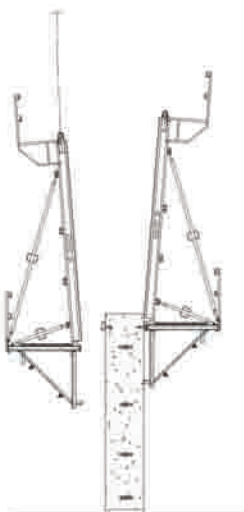
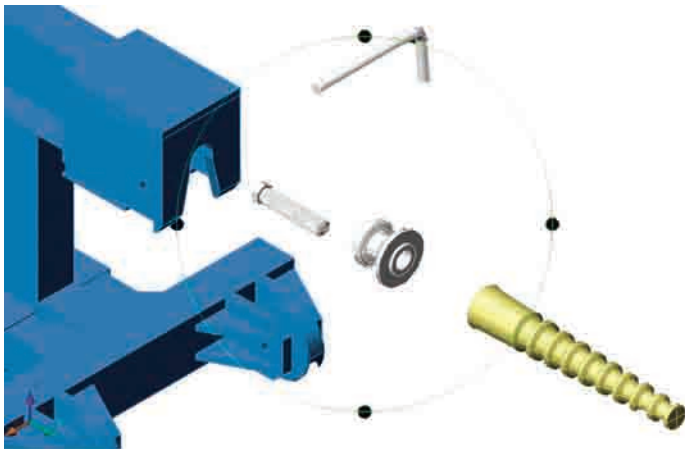
**TRK 250 D BARAJ TİPİ TIRMANMA GRUBU** Tırmanma Konsolu sisteminde, TRK 250D ana elemanı baraj tipi, TR-B 250 DS başlığı, TR-P 250 özel pimi, TRK korkuluğu, TR-S 250 D sepeti, TR-C 250 D itme-çekme sistemi, TK-I 250 ince ayar sistemi, KA-E 420 konik ankraj elemanı, KA-E 250 konik ankraj elemanı, MULTIX özel asker elemanı, MULTIX asker bağlantı pabucu, rüzgâr gergi halatı ve bağlantı elemanları, T-tipi çektirme, bağlantı boruları, boru kelepçesi kapsam dâhilindedir.



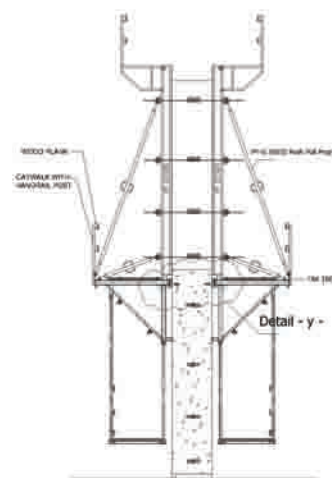
# CLIMBING SCAFFOLD



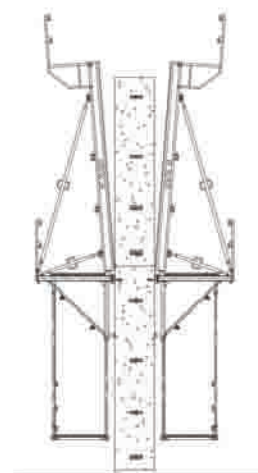
1



2



3



4



# CLIMBING SCAFFOLD

## CLIMBING SCAFFOLD 160



ITEM	ITEM NO	WEIGHT
TR-K 100	030 016 01000	24,50 kg
TR-K 120	030 016 01200	28,00 kg
TR-K 160	030 016 01600	39,00 kg



CLIMBING SCAFFOLD 100/120

## CLIMBING SCAFFOLD 240



ITEM	ITEM NO	WEIGHT
TR-K 240	030 016 02400	118,00 kg
TR-K 250	030 016 02500	135,90 kg



CLIMBING SCAFFOLD 250  
SINGLE - SIDED

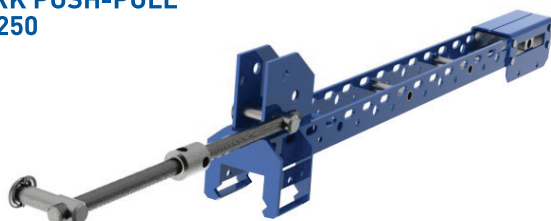
# CLIMBING SCAFFOLD

## FORMWORK PUSH-PULL CARRIER 240



ITEM	ITEM NO	WEIGHT
TK-K 240	030 016 02405	41,30 kg

## FORMWORK PUSH-PULL CARRIER 250



ITEM	ITEM NO	WEIGHT
TK-K 250	030 016 02505	40,85 kg

## CLIMBING SCAFFOLD SUSPENSION HEAD 160



ITEM	ITEM NO	WEIGHT
TK-B 160	030 016 01603	3,80 kg
TK-P 160	030 016 01609	0,40 kg

## CLIMBING SCAFFOLD SUSPENSION HEAD 240



ITEM	ITEM NO	WEIGHT
TK-B 240	030 016 02403	2,85 kg

## CLIMBING SCAFFOLD 250



ITEM	ITEM NO	WEIGHT
TK-B 250	030 016 02503	2,95 kg

## VERTICAL FINE ADJUSTMENT



**SOLDIER BRACKET**

ITEM	ITEM NO	WEIGHT
TK-I 240	030 016 02407	3,85 kg
AB-P 250	030 016 02508	10,60 kg

# CLIMBING SCAFFOLD

## SUSPENDED PLATFORM 160/240



ITEM	ITEM NO	WEIGHT
TK-S 160	030 016 01606	21,40 kg
TK-S 240	030 016 02406	21,50 kg
TK-S 250	030 016 02506	45,30 kg



**SUSPENDED  
PLATFORM 250**

## CARRIER PIN



## PROP PIN



**SOLDIER PIN**

ITEM	ITEM NO	WEIGHT
TK-P 250	030 016 02509	0,70 kg
TK-P 250	030 016 02510	0,85 kg
TK-P 250	030 016 02511	0,45 kg

## CATWALK BRACKET



**CATWALK  
TILT BRACKET**

ITEM	ITEM NO	WEIGHT
BD-K 250	030 016 02518	15,60 kg
CT-E 250	030 016 02520	10,50 kg

## PROP SHOE



ITEM	ITEM NO	WEIGHT
PP-M	030 016 02530	3,40 kg

# CLIMBING SCAFFOLD

## SOLDIER



ITEM	ITEM NO	WEIGHT
AS-S 200	030 031 00820	44,65 kg
AS-S 220	030 031 00822	49,12 kg
AS-S 250	030 031 00825	55,65 kg
AS-S 280	030 031 00828	62,33 kg
AS-S 300	030 031 00830	66,65 kg

## HAND RAIL POST



HAND RAIL POST STD

ITEM	ITEM NO	WEIGHT
CT-K 250	030 016 02522	4,45 kg
GA-S 4810	030 097 04810	3,60 kg

## TR-K GUY WIRE SPANNER ITEMS



ITEM	ITEM NO	WEIGHT
TK-G	030 016 02550	11,15 kg

## REMOVABLE CONICAL ANCHOR



ANCHOR KEY

ITEM	ITEM NO	WEIGHT
KA-E 140	004 025 00114	0,75 kg
KA-E 200	004 025 00120	1,40 kg
KA-E 250	004 025 00125	1,65 kg
KA-E 280	004 025 00128	2,95 kg
KA-E 320	004 025 00132	3,40 kg
KA-E 360	004 025 00136	3,80 kg
KA-E 430	004 025 00143	5,45 kg

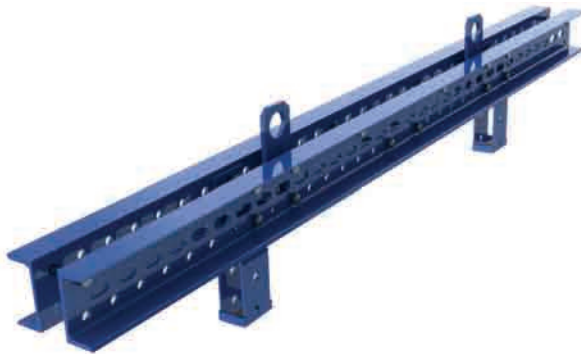
# CLIMBING SCAFFOLD

## PANEL SPANNER



ITEM	ITEM NO	WEIGHT
PC-B	030 010 01110	1,80 kg

## SHAFT PLATFORM BEAM



ITEM	ITEM NO	WEIGHT
SK-P 100x200	030 031 10200	42,40 kg
SK-P 120x200	030 031 12200	50,50 kg
SK-P 120x270	030 031 12270	68,15 kg
SK-P 120x330	030 031 12330	83,30 kg
SK-P 140x390	030 031 14390	117,00 kg
SK-P 140x420	030 031 14420	126,00 kg

## PAWL PIN



MULTIX CONNECTOR

## SHAFT PLATFORM PAWL



ITEM	ITEM NO	WEIGHT
SP-P 2025	030 031 20255	0,76 kg
SP-P 1615	030 031 20265	0,26 kg
SP-B	030 031 20150	7,30 kg

## BOX-OUT



GIRDER SUPPORT

ITEM	ITEM NO	WEIGHT
SP-R	030 031 20220	1,80 kg
SP-T	030 031 20275	2,70 kg

## SUSPENDED PLATFORM



ITEM	ITEM NO	WEIGHT
SP-S	030 031 20300	46,40 kg